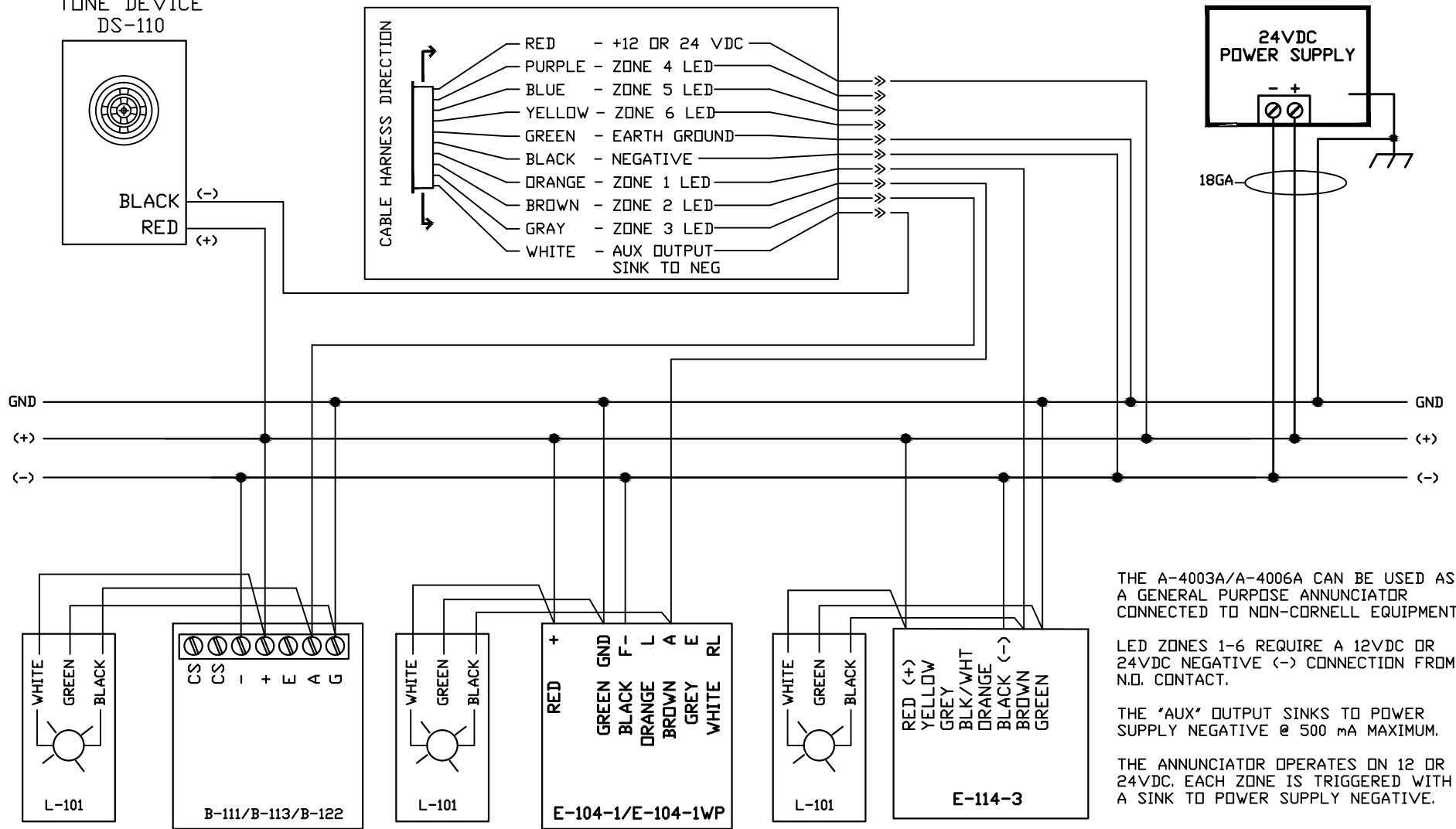


(OPTIONAL)  
TONE DEVICE  
DS-110

\*A-4003A/A-4006A



THE A-4003A/A-4006A CAN BE USED AS A GENERAL PURPOSE ANNUNCIATOR CONNECTED TO NON-CORNELL EQUIPMENT.

LED ZONES 1-6 REQUIRE A 12VDC OR 24VDC NEGATIVE (-) CONNECTION FROM N.O. CONTACT.

THE "AUX" OUTPUT SINKS TO POWER SUPPLY NEGATIVE @ 500 mA MAXIMUM.

THE ANNUNCIATOR OPERATES ON 12 OR 24VDC. EACH ZONE IS TRIGGERED WITH A SINK TO POWER SUPPLY NEGATIVE.

NOTE 1:  
ALL WIRE SIZES NOT SPECIFIED ARE 22AWG. OR HEAVIER. IT IS RECOMMENDED THAT EACH GREEN GROUND SCREW, GREEN GROUND WIRE, AND GREEN SCREW TERMINAL ON CALL STATIONS (LABELED "G") BE CONNECTED TO EARTH GROUND, 18AWG. WIRE MINIMUM.

NOTE 2:  
THE A-4003A DOES NOT HAVE TERMINALS 4, 5 AND 6.



**CORNELL Communications, Inc.**  
sales@cornell.com 414-351-4660  
Web: www.cornell.com 414-351-4657(fax)

DATE: JUNE 22, 2011

TITLE: A-4003A / 6A ANNUNCIATOR SYSTEM WIRING

SYSTEM: 4000 NURSE CALL

DRAWING #90010-11 DOC#: DA4006W