



Emergency Station - Pull Cord with Water Resistant Option E-104-1/E-104-1WP



Description: E-104-1/E-104-1WP stations feature satin finished stainless steel faceplates with silk-screened designations. Station is applicable for single or dual applications. E-104-1WP has a gasket making the station splash proof for use in shower applications.

Operation: Pulling the four-foot germ free, glow in the dark cord on the E-104-1 (E-104-1 WP) Emergency Station activates a call for help confirmed by red LED. To cancel the call, slide the switch to the off position.

Mounting: The satin finish stainless steel faceplate with silk-screened designations may be flush mounted on a standard outlet box with single-gang plaster ring, or surface mounted on a Wiremold 5748 or equivalent.

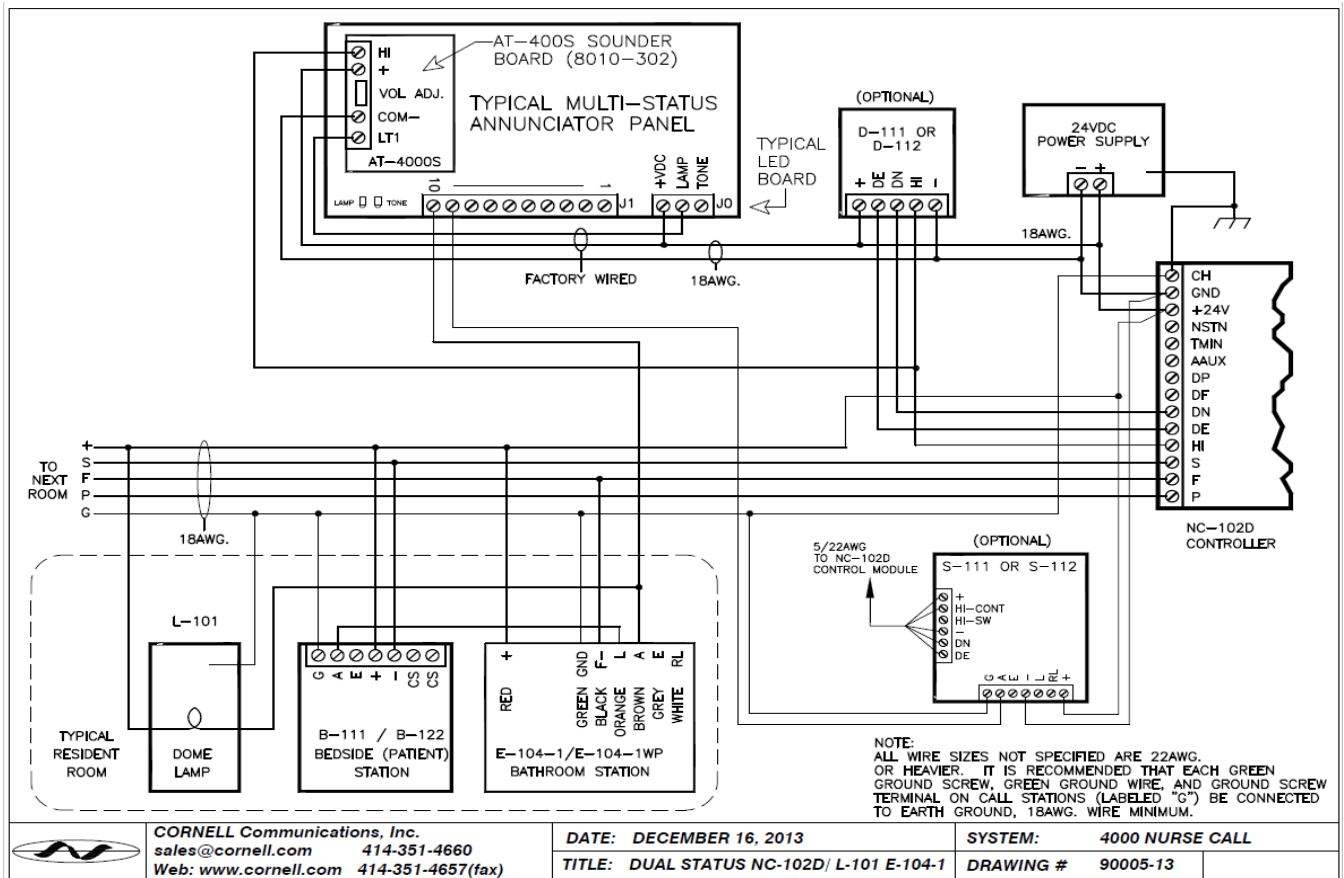
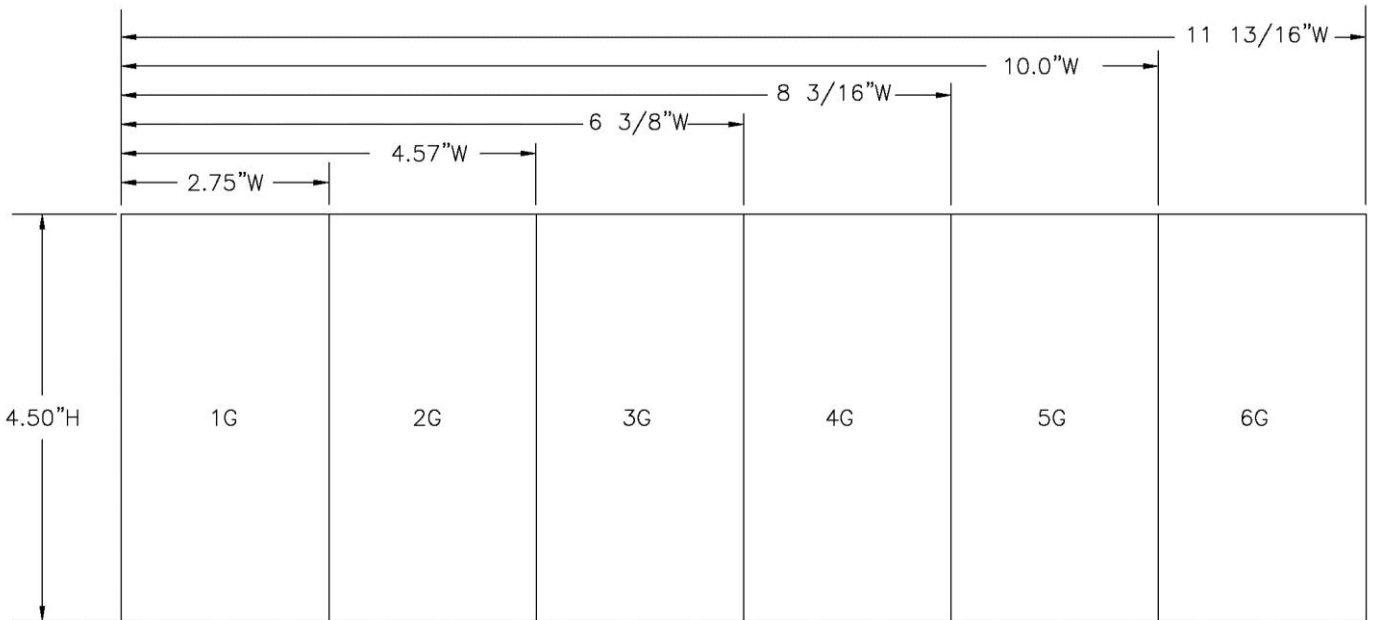
Engineering Specifications: The contractor shall furnish and install the CORNELL E-104-1 (E-104-1/WP) Emergency Stations as indicated on the plans. Faceplates shall be satin-finish stainless steel with silk-screened designations. Emergency Station activates a call for help confirmed by red LED. Calls in progress can be cancelled by moving the switch to off position. Incandescent lamps are not acceptable.

Technical Information:

- Power Requirements: 24VDC
- Operating Environment: 50-120°F Indoor Non-condensing
- Physical Faceplate Dimensions: 4½" H x 2¾" W (1 Gang)
- Mounting: Single-Gang back box with 1¾" minimum depth
- Wiring: 10 Wire color-coded pluggable harness
- Now supplied with a plastic, anti-microbial, glow in the dark 4 ft long cord

Available in 1-6 gang sizes:

*stations are only UL Listed in the 1 gang size
 * Change first number (1) to gang size needed.



CORNELL Communications, Inc. sales@cornell.com 414-351-4660 Web: www.cornell.com 414-351-4657(fax)	DATE: DECEMBER 16, 2013	SYSTEM: 4000 NURSE CALL
	TITLE: DUAL STATUS NC-102D/ L-101 E-104-1	DRAWING # 90005-13

